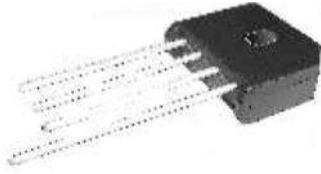


**8.0 A Single-Phase Silicon Bridge Rectifier**  
Rectifier Reverse Voltage 50 to 1000V

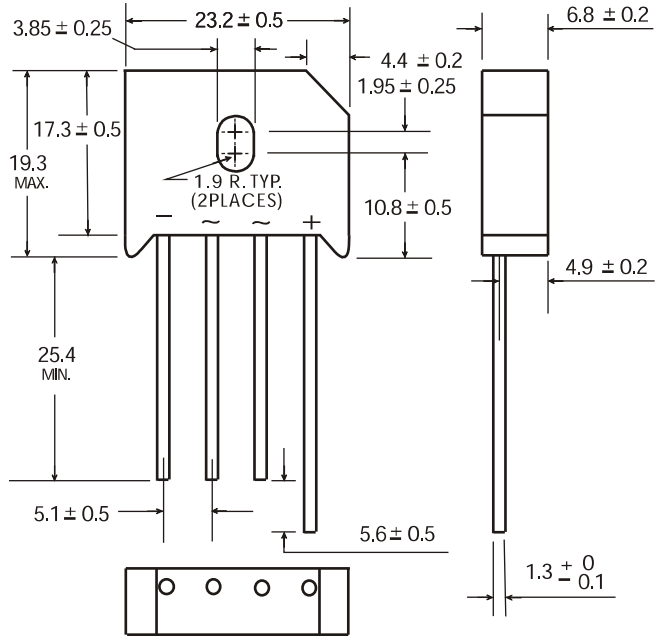


**Features**

- Ideal for P.C. Board mounting
- High surge current capability
- This series is UL listed under the Recognized Component Index, file number E142814
- The plastic material used carries Underwriters Laboratory flammability recognition 94V-0
- For purchase please contact ZENIVO, Assistant E-075583681018-engineer

**Mechanical Data**

Case: Molded plastic body  
 Terminals: Plated leads solderable per MIL-STD-202, Method 208  
 Polarity: Polarity symbols molded on body  
 Mounting Position:: Any  
 Mounting Torque: 5 in-lbs max.  
 Weight: 0.3 ounce, 8.0 grams (approx)



Dimensions in millimeters(1mm = 0.0394")

**Maximum Ratings & Thermal Characteristics**

Rating at 25°C ambient temperature unless otherwise specified, Resistive or Inductive load, 60 Hz.  
 For Capacitive load derate current by 20%.

Parameter	Symbol	KBU8A	KBU8B	KBU8D	KBU8G	KBU8J	KBU8K	KBU8M	unit
Maximum repetitive peak reverse voltage	VRRM	50	100	200	400	600	800	1000	V
Maximum RMS bridge input voltage	VRMS	35	70	140	280	420	560	700	V
Maximum DC blocking voltage	VDC	50	100	200	400	600	800	1000	V
Maximum average forward rectified output current <small>T<sub>c</sub>=100°C T<sub>A</sub>=45°C</small>	IF(AV)				8.0 6.0				A
Peak forward surge current single sine-wave superimposed on rated load (JEDEC Method)	IFSM				300				A
Rating for fusing ( t<8.3ms)	I <sup>2</sup> t				300				A <sup>2</sup> sec
Typical thermal resistance per element(1)	ReJA				2.7				°C / W
Operating junction and storage temperature range	T <sub>J</sub> , T <sub>STG</sub>				-55 to + 150				°C

**Electrical Characteristics**

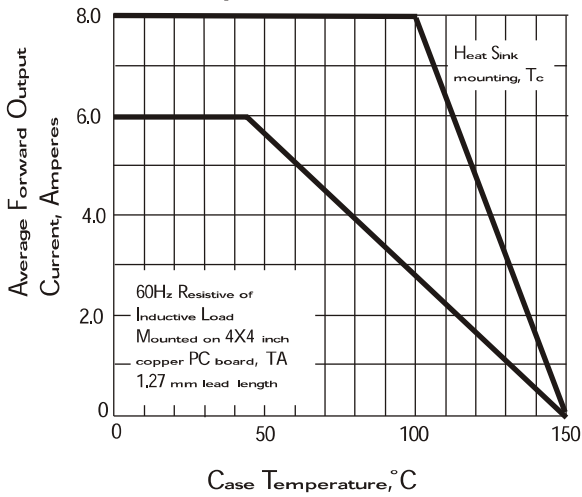
Rating at 25°C ambient temperature unless otherwise specified. Resistive or Inductive load, 60Hz.  
 For Capacitive load derate by 20 %.

Parameter	Symbol	KBU8A	KBU8B	KBU8D	KBU8G	KBU8J	KBU8K	KBU8M	Unit
Maximum instantaneous forward voltage drop per leg at 8.0A	V <sub>F</sub>				1.1				V
Maximum DC reverse current at rated DC blocking voltage per element <small>T<sub>A</sub> =25°C T<sub>A</sub> =125°C</small>	I <sub>R</sub>				10 500				μA

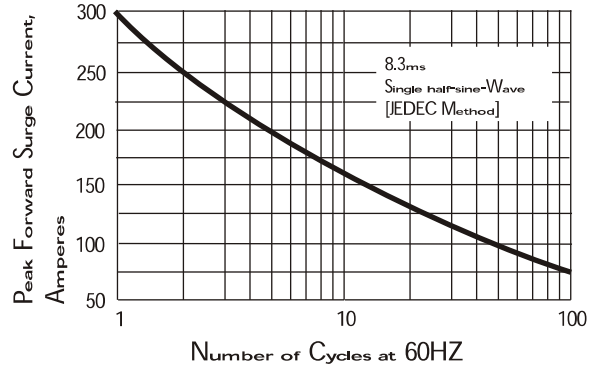
**Notes:** (1)Thermal resistance from Junction to Ambient on P.C.board mounting.

# Rating and Characteristic Curves ( $T_A=25^{\circ}\text{C}$ Unless otherwise noted ) KBU8A thru KBU8M

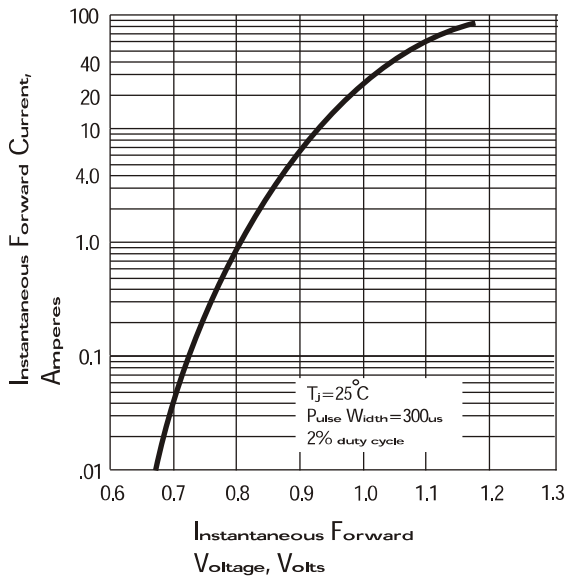
**Fig. 1 Derating Curve for Output Rectified Current**



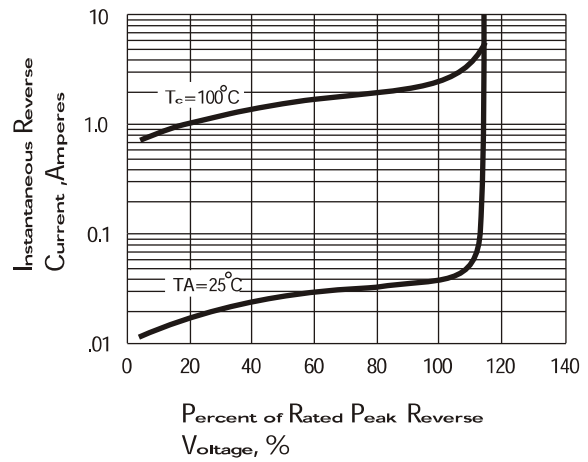
**Fig. 2 Maximum Non-repetitive Peak Forward Surge Current**



**Fig. 3 Typical Instantaneous Forward Characteristics**



**Fig. 4 Typical Reverse Characteristics**



**Fig. 5 Typical Junction Capacitance**

